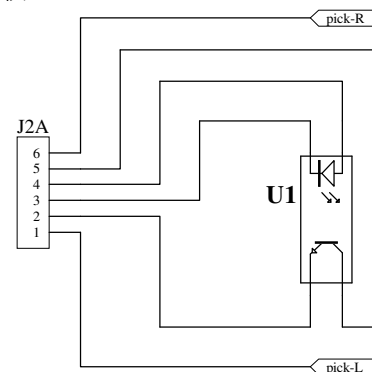


軟PCB



Title		原理圖	
Size	Number	Revision	
A4	1096		
Date:	13-Dec-2005	Sheet	of
File:	D:\原理圖\1096sch.ddb	Drawn By:	