

Lehigh Valley Models

LVM19

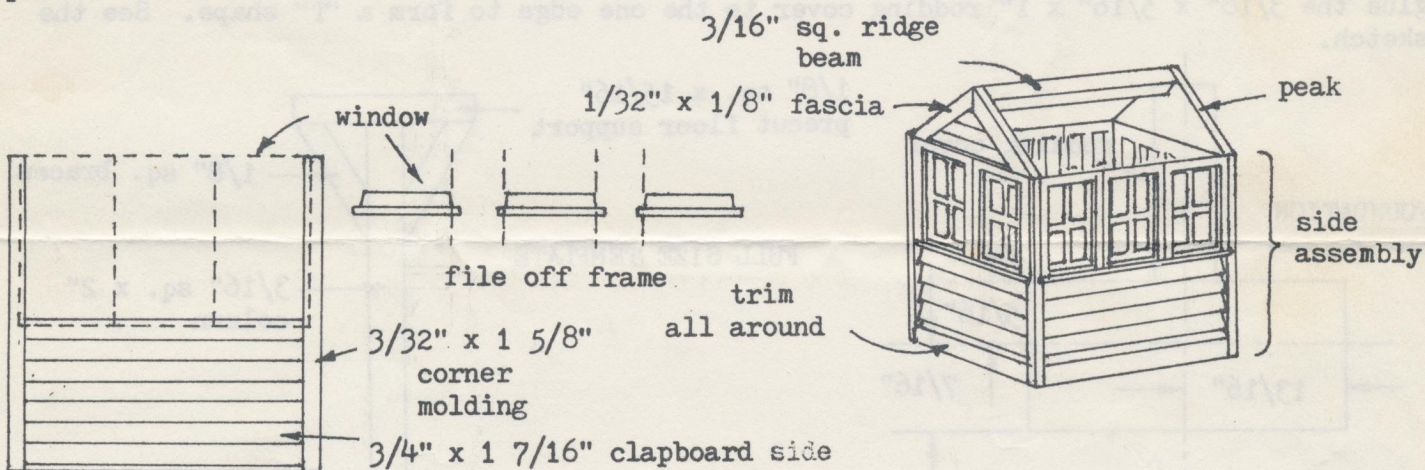
ELEVATED GATE CROSSING TOWER

In the earlier days of railroading street crossings were protected by a watchman located in a small shanty. Gate crossings were manually controlled by a watchman located in an elevated crossing tower. This was a small multi-windowed building perched upon wooden columns for better visibility. The gates were hooked up by rodding and raised or lowered as needed by pulling on large levers. The LVM19 Elevated Gate Crossing Tower is a model of this type.

Before assembly, check over the instructions to visualize where each piece goes and decide upon the colors you wish to use upon your model. Paint the six clapboard pieces one color, and the $3/32$ " sq. corner molding and $1/32$ " x $1/8$ " strips your trim color.

BUILDING ASSEMBLY

Glue a precut $3/32$ " sq. x $1\ 5/8$ " corner molding strip on either side of both the $3/4$ " x $1\ 7/16$ " clapboard sides. Lay these pieces on a flat surface to keep the inside edges even. Be sure the clapboard is running the proper way. Keep the bottom edges of all 3 pieces flush.



After cleaning the flashing from the ten window castings furnished, file the overhang off the side frames where the windows will butt against each other. Three windows should fit in the space between the $3/32$ " sq. corner molding strips after filing the frames. When you have a good fit, lay the clapboard assemblies flat on a piece of wax paper and glue the 3 windows in place. The window ledges should fit down on the edge of the clapboard and the outer two frames overlap the $3/32$ " sq. corner molding.

File and glue two windows to the $3/4$ " x $31/32$ " clapboard end pieces in the same manner. When the glue has hardened, glue the side and end assemblies together around the $1/16$ " x $31/32$ " x $1\ 7/16$ " floor piece. Keep the floor flat on your work surface as you assemble the four walls.

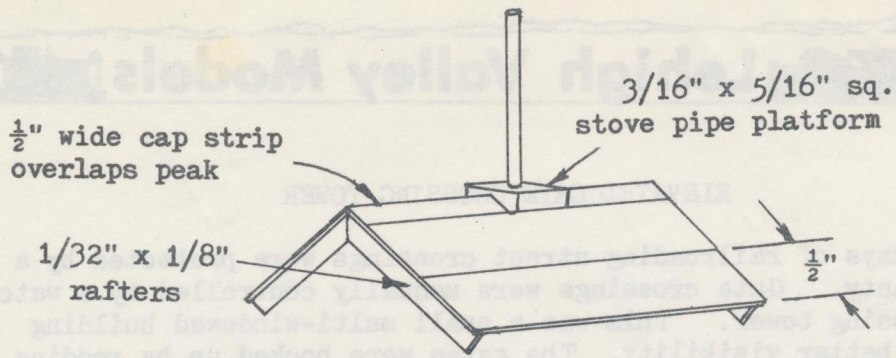
Carefully cut out the peaks marked on the $1/2$ " x $1\ 1/8$ " clapboard pieces. Glue these to the top edge of the windows on the end walls. Glue a $3/16$ " sq. x $1\ 7/16$ " roof ridge beam from one peak to the other as shown.

Cut $1/32$ " x $1/8$ " fascia and bottom trim from the stripwood supplied and glue in place as shown. Paint the windows and touch up the trim where necessary. Cut 4 pieces of clear plastic to fit inside the walls covering the windows and glue them in place.

ROOF

Scotch tape the two card roof sections together lengthwise and glue the roof in place centering the overhang all around.

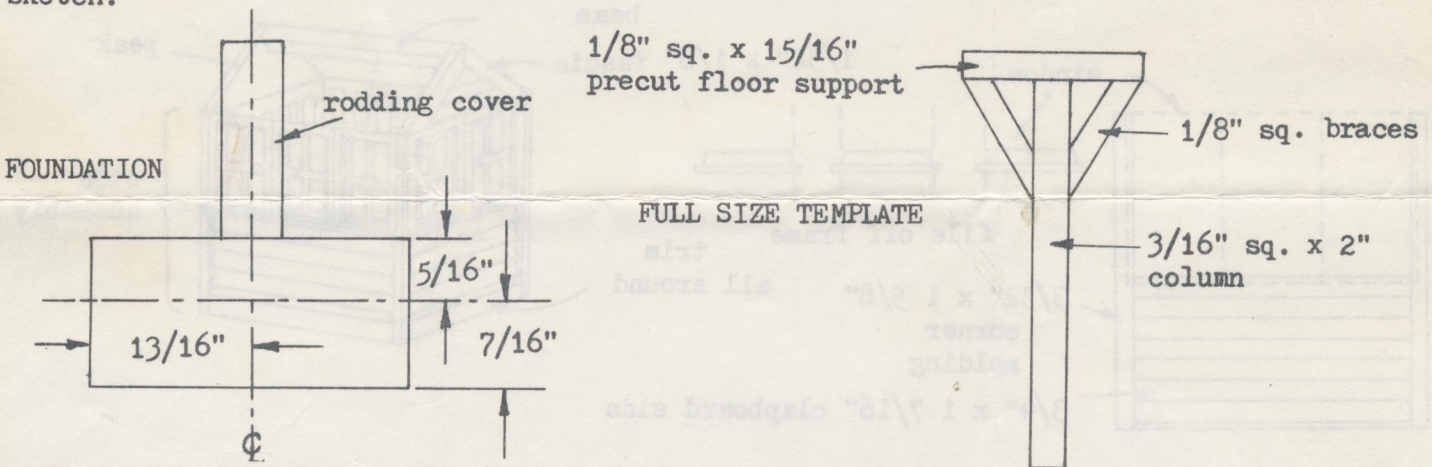
Property of
NASG Inc.



Use strips of 3/4" wide masking tape for roofing paper (not furnished) pasted to the roof in overlapping rows as shown. Notch out the 3/16" x 5/16" sq. precut stove pipe platform with a sharp razor blade or by filing to fit the roof peak. Center it on the roof peak and glue it in place. When dry, drill a #41 hole about 1/8" deep in the center of this platform, insert the brass tubing and glue in place. Cut and fit two roof rafters from 1/32" x 1/8" stripwood and glue 1/16" in from the end roof edges on both sides. See sketch. Paint the roof Floquil Grimy Black and the stove pipe aluminum.

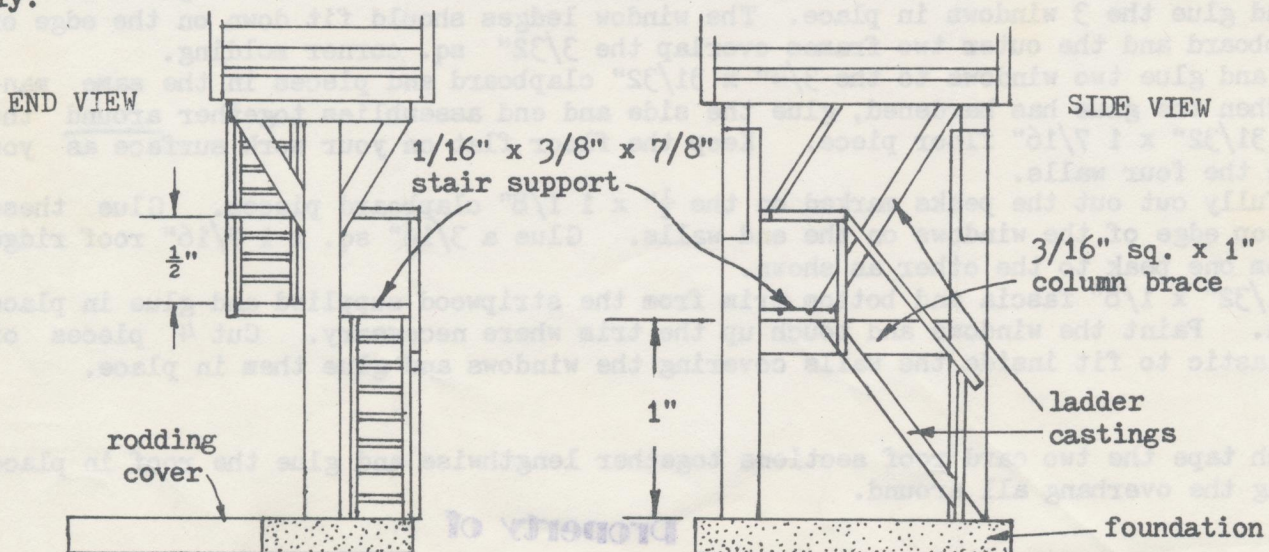
FOUNDATION

Draw column location lines across the 3/16" x 3/4" x 1 5/8" foundation as shown and glue the 3/16" x 5/16" x 1" rodding cover to the one edge to form a "T" shape. See the sketch.



BUILDING SUPPORTS

Assemble two "T" units over the full size template using precut 1/8" sq. floor supports and 3/16" sq. x 2" columns. Cut diagonal braces from the 1/8" sq. x 3" wood supplied and glue them in place as shown. Notice that all pieces are flush on one side only.



SUPPORT ASSEMBLY

Glue the floor support end of the "T" units to the building floor $1/16$ " in from the ends and centered.

Make a line 1" from the column ends and glue the $3/16$ " sq. x 1" column brace between the columns so the top of it is in line with this mark. Make sure everything is square and even. Now glue the bottoms of both columns to the foundation on the offset line. Center the unit the other way on the foundation. Glue the $1/16$ " x $3/8$ " x $7/8$ " precut stair support across the column brace centering it as shown with plank lines upward. Carefully cut each stair casting to fit in its proper place. Remove a little of the casting at a time until each stair fits snugly in place. Glue them in place keeping them even with the outer edges of the stair support. See sketches.

RAILINGS

Using the $3/64$ " sq. strips supplied, cut one piece $15/16$ " long and glue it across the support column $1/2$ " above the stair support as a railing. Be sure it is level. Now cut posts and railings as needed. See large drawing and sketch for placement.

Complete any needed painting or touch up, cut out a "G" or other tower letter, glue it to a piece of card stock (post card will do) and glue it to one corner of the tower. Now it is finished and ready to install at your busiest grade crossing. If you have no gates, the LVM5 Crossing Gate kit is perfect as a companion to this scene.

